



TAG NAILING SYSTEMS




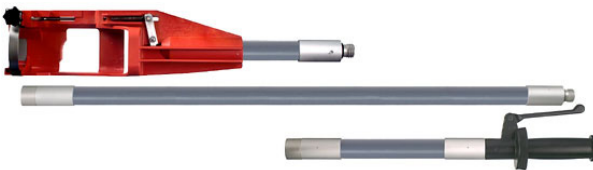
Pannier recommends Hilti nailing systems for attaching tags to hot slabs, blooms, and billets. These systems are commonly used for manual tag attaching applications in the steel industry. The following are some Hilti product references.

Hilti DX 460 Powder Actuated Fastening Tools



Model DX 460-F8



Powder Actuated Fastening Tools	<p>DX 460-F8 Single nail system.</p> <p>DX 460-F10 Single nail system.</p> <p>DX 460-MX Uses a 10-nail magazine.</p>
Cartridges	<p>Item Numbers 50351 through 50354</p> <p>.27 caliber cartridges in strips of 10 (varying power levels available).</p>
Nails	<p> X-U 16P8 TH Single nail, 5/8" long.</p> <p> DAK 16P8T Single nail, 5/8" long.</p> <p>DAK 16 MX SP Nails in strips of 10, 5/8" long.</p> <p> X-ZF27 P8 S23 Single nail with washer, 1" long.</p>
Extension Pole	<p>DX 460 7' Pole Tool</p> <p>Modular 7 ft (2.13 m) extension pole (shown above, attached to fastener) includes grip section assembly, receptacle assembly, and 3 ft pipe section.</p> 
Magnetic Tag Holders	<p>R4DW-X Label Holder STD Magnetic holder with two magnets for smaller tags.</p> <p>R4DW-X Label Holder BBH Magnetic holder with three magnets for larger tags.</p>

Please note that some of these products may not be available through local Hilti representatives. They may only be available through the Hilti Steel Division in the USA. The contact person is:

Herb Rogers
 Phone: +1.219.791.9411
 E-mail: herb.rogers@hilti.com